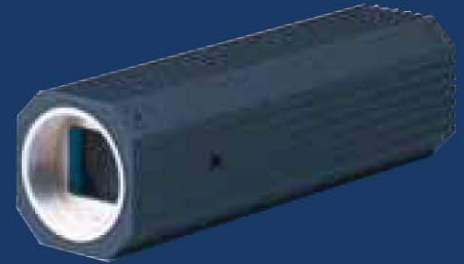


Colour Video Camera Module Component/OEM XC-555 / XC-555P



The XC-555/555P are ultra-compact, integrated 1/2 type IT CCD colour cameras ideally suited for a wide variety of applications such as machine vision, multimedia and remote monitoring.

The cameras offer a single cable solution and are designed so that a video output signal can be obtained by only providing a power supply of 12 V DC. The ultra-compact, one-piece design eliminates the need for a bulky CCU (Camera Control Unit), allowing the XC-555/555P cameras to be easily installed in space-restricted areas.

In addition, the XC-555/555P cameras use a unique, compact NF mount lens system that can be converted into a flexible C mount lens. The option to remove housing, remote CCD-block and remote rear connector circuit allows easy OEM integration. Furthermore, the XC-555/555P are highly functional DSP cameras that can be remotely controlled by RS-232C. The RS-232C interface allows the cameras to control various functions such as Shutter Speed, Red/Blue level, Pedestal, AGC and CCD IRIS. The rugged and robust construction and high image quality make the cameras suited for the most demanding applications.

Features

- 1/2 type IT CCD
- Ultra-compact and lightweight:
22 (H) x 22 (W) x 75 (D) mm, 60 g
(7/8 x 7/8 x 3 inches, 2.1 oz)
- One piece camera - no bulky CCU
- Compact NF lens and lens mount
- CCD IRIS function
- VBS and Y/C outputs
- External synchronisation HD/VD, VS and CSync
- RS-232C interface to control camera functions
- Camera settings can be saved in non-volatile memory
- High shock and vibration resistance
- Single cable
- Reliable and rugged

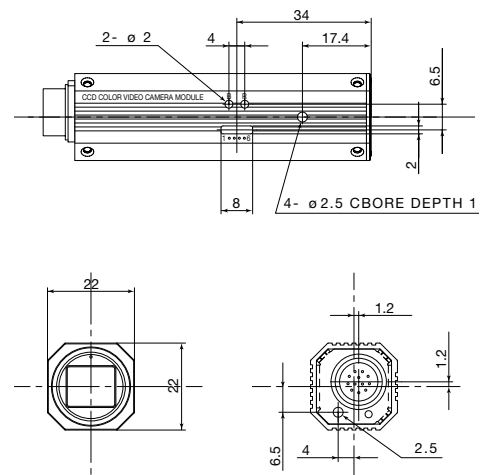


**Camera &
Adapter VC-35**



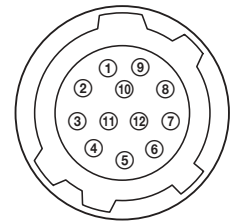
SPECIFICATIONS	XC-555 (NTSC)	XC-555P (PAL)
Image device	1/2 type IT CCD	
Colour filter	Complementary colour mosaic	
Effective picture elements	768 (H) x 494 (V)	752 (H) x 582 (V)
Lens mount	NF mount	
Sync system	Internal/External (switched automatically)	
External sync signal	HD/VD (2 to 4 Vp-p), 75 Ω VS (1 Vp-p), 75 Ω CSYNC (2 to 4 Vp-p), 75 Ω	
External sync frequency tolerance	VD/59.94 Hz ± 0.0009 Hz, HD/15734 Hz ± 0.22 Hz	VD/50 Hz ± 0.0005 Hz, HD/15625 Hz ± 0.22 Hz
Video output	VBS, Y/C (selected with the switch) VBS: 1 Vp-p, 75 Ω, sync negative Y: 1 Vp-p, 75 Ω C: C level depends on the composite video out signal	
Horizontal resolution	470 TV lines	460 TV lines
Minimum illumination	3 lx (F1.2, AGC ON)	
Sensitivity	2000 lx, F8, AGC OFF (0 dB)	
S/N ratio	48 dB (AGC OFF (0 dB))	46 dB (AGC OFF (0 dB))
Shutter speed	4 speeds selectable OFF, Flickerless, 1/1000 s, CCD iris	
CCD iris range	Auto: 1/60 to 1/4000 s RS-232C: 1/60 to 100000 s ⁻¹	Auto: 1/50 to 1/4000 s RS-232C: 1/50 to 100000 s ⁻¹
	Max speed is not guaranteed beyond 1/4000 s.	
White balance	4 modes selectable ATW, 3200 K, 5600 K, MANUAL	
Gain control	2 modes selectable AGC, Fixed (0 dB)	
Gamma	ON/OFF *Controlled by RS-232C	
Output connector	DC IN, SYNC, VIDEO: multi 12-pin	
Power requirement	10.5 to 15 V DC	
Power consumption	2.4 W	
Operating temperature	0 to 40°C (32 to 104 °F)	
Storage temperature	-30 to 60°C (-22 to 140 °F)	
Operation humidity	20 to 80 % (no condensation)	
Storage humidity	20 to 90 % (no condensation)	
Shock/vibration resistance	70 G / 10 G (20 – 200 Hz xyz direction)	
Dimensions	22 (H) x 22 (W) x 75 (D) mm (7/8 x 7/8 x 3 inches)	
Mass	60 g (2.1 oz)	
Regulations	UL 6500 listed, FCC Class B Digital Device, CE EN61326, AS4251.1+AS4252.1	
Supplied accessories	Lens mount cap (1), Tripod adaptor (1 set), Operating Instructions (1)	

Dimensions Unit: mm



Pin Assignment (External sync.)

Pin No.	Name
1	Ground
2	+12 V
3	VBS/Y Output (GND)
4	VBS/Y Output
5	HD Input (GND)
6	HD Input
7	VD/VS/VBS Input
8	-/C Output (GND)
9	-/C Output
10	RS-232C (TXD)*1
11	RS-232C (RXD)*1
12	VD/VS/VBS Input (GND)



*1 The RS-232C switch is set to OFF at the factory. For details on how to change this setting, please refer to the Technical Manual.

Sony Contacts

ISS for Central Zone (Austria, Eastern Europe, Germany, Netherlands, German-speaking Switzerland)	+49 221 537 3668
ISS for Nordic Zone (Baltics, Denmark, Finland, Norway, Sweden)	+45 43 557 067
ISS for Other Zone (UK, Ireland, Greece, Israel, South Africa)	+44 1932 816 315
ISS for South Zone (Belgium, France, Portugal, Spain, French-speaking Switzerland)	+33 1 55 90 40 74
ISS for Italy	+39 (0) 6 334 372 27