

# HIGH SPEED PTZ DOME CAMERA



## AL-RPT270

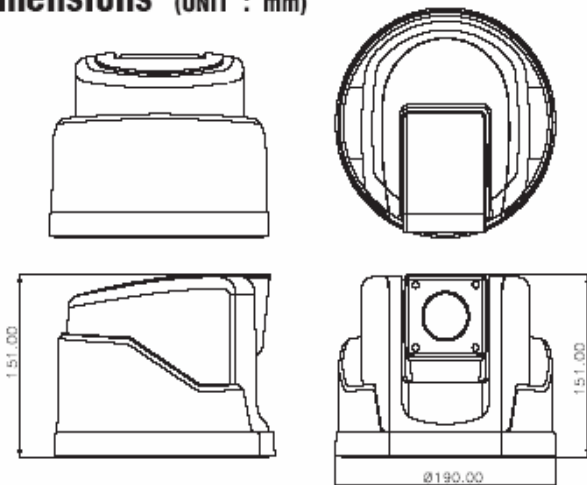
### FEATURE

- 1/4" SONY Super HAD CCD Sensor
- Fire engine, Police car and other special application
- Built-in 27×Optical zoom lens & Endless Pan Tilt Driver
- 0.003 Lux extreme low light with 27× Day & Night function
- Day & Night (IR Cut Filter Removable)
- Aluminum body & resistance lens cover
- Max. 100 °/sec Pan Speed
- 8 tours and auto flip
- 127 Preset Position and Auto Swing function
- Outdoor application (Fan & Heater)
- Supports multi protocol



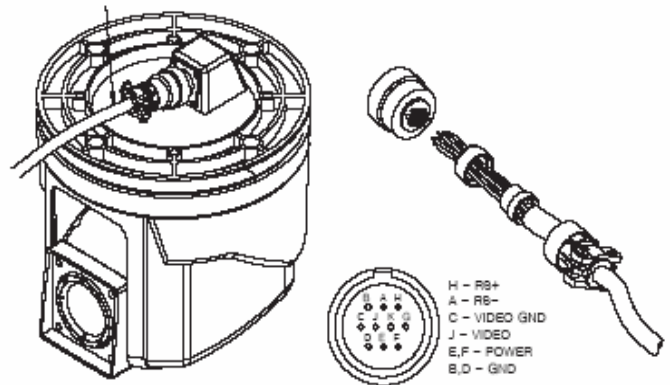
### DIMENSION

#### Dimensions (UNIT : mm)



#### Configuration

Video, Power, RS-485



H - RS+  
A - RS-  
C - VIDEO GND  
J - VIDEO  
E,F - POWER  
B,D - GND

**SPECIFICATION**

<b>MODEL</b>	<b>AL-RPT270</b>	<b>AL-RPT271</b>
Signal format	NTSC 525 Lines	PAL 625 Lines
Image Sensor	1/4" Sony Super HAD CCD	
Image Pixels	410K	470K
Horizontal Resolution	480 TV Lines	
Minimum Illumination	0.01 Lux (Digital Slow Shutter up) / 0.003 Lux (Night mode) / 1.0 Lux (30IRE)	
Lens	Zoom Rate 27× AF (27~270× : 10× Digital Zoom) / Focal length f=3.25~88mm Minimum object distance : 30cm (zoomed out)	
S/N Ratio	More than 49dB (AGC off)	
Pan	Angle	0 to 360 ° (Endless)
	Manual Speed	More than 100 °/sec
	Preset Speed	More than 120 °/sec
Tilt	Angle	-45 ° to 60 °
	Manual Speed	More than 60 °/sec
On Screen Display	Camera ID, Camera name, area name and Preset number	
Auto swing	MAX. 8 Pan Swing (2 Position Swing)	
Preset	127 Positions	
Guard Tour	8 Guard tours, consisting of 127 presets and functions	
ID (Camera Address)	0 ~ 255 Address	
Control	RS-485 / RS-232C, baud rate : 2400 / 9600bps	
Construction	Die-cast Aluminum & "O"-Ring sealed	
	All internal parts are corrosion protected epoxy powder coating	
Power	AC 24V , 50Hz / 60Hz , 1.5A , DC 12V , 2A	
Operating Temperature	Outdoor : -40 °C to 55 °C	
Humidity	30 to 90% RH (non-condensing)	
Dimension / Weight	190( Ø )×151(H)mm / 4Kg	
Certification	CE , FCC	
Controller	AL-WTX1000 / AL-WTX2000 / AL-WTX2200S	



**ALLWAN SECURITY SARL**

www.allwan.fr

Tel : 33 (0) 825 600 625 - Fax : 33 (0) 825 600 623