

3D-DNR Miniature Color Camera

AL610SW Weatherproof

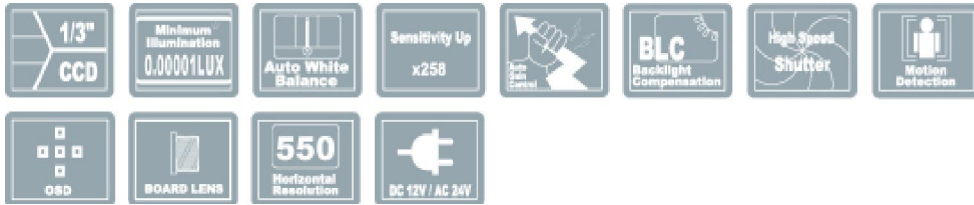


ALLWAN SECURITY

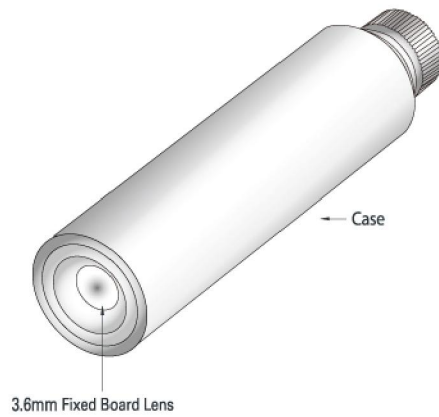
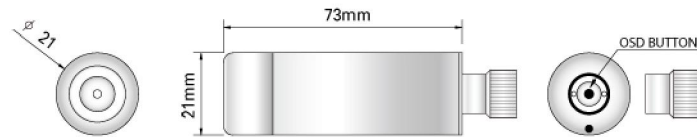


General Features

1/3j± Sony Super HAD CCD
Highest Color Resolution of 550 TV Line
Highest Resolution Vivid Sharp Picture in completely darkness
Free Adjustable of BLC, MD Area
Privacy Masking of Maximum 8 Area
3.6mm Fixed Board Lens(4/8/12mm:Option)
OSD(On Screen Display) Control Funct



CAD



SPECIFICATION

| MODEL | AL610SW DNR |
|--------------------------|--|
| Sensor | 1/3" SONY SUPER HAD CCD |
| Total Pixels | NTSC=811(H) * 508(V) / PAL=795(H) * 595(V) |
| Effective Pixels | NTSC=768(H) * 494(V) / PAL=752(H) * 582(V) |
| Scanning System | 2:1 Interlace |
| Synchronization | Internal / Line Lock |
| O.S.D | Available |
| Backlight | BLC / HSBLCL / Off Selectable |
| Resolution | 550TV Lines(Color), 600TV Lines(B/W) |
| S/N (Y signal) | 52dB (AGC Off, Weight On) |
| Min. Illumination | 0.00001Lux (Sens-Up X258) |
| White Balance | ATW / AWB / Manual / AWC _i æSET |
| Electronic Shutter Speed | Auto(1/60sec ~ 1/120,000sec) |
| Sense-Up | Off / Auto(Selectable limit *2 ~ *258) |
| Gain Control | High, Middle, Low, Off Selectable |
| 3 DNR | Off/On (1~50 Level Adjustable) |
| D-WDR | Indoor / Outdoor / Off |
| Motion Detection | On/Off (4 Zone, Alarm Output) |
| Privacy | On/Off (8 Zone) |
| Mirror | Off / Mirror / V-Rev / Rotate |
| Freeze | On/Off |
| Sharpness | 0~31 _i (Level Adjustable) |
| D&N Selection | Color / BW / Auto |
| Digital Zoom | On(*32) / Off |
| Blemish Compensation | 256 Point (Even 128 Point, ODD 128 Point) |
| Power | DC 12V |
| Power Consumption | 120mA |
| Lens | 3.6mm Fixed Board Lens |
| Operating Temp. | -10~+50 Deg C.RH 95% Max. |
| Storage Temp. | -20~+60 Deg C.RH 95% Max. |
| Dimension | 21mm(W)*21mm(H)*73mm(D) |
| Weight | 60g |