

# NR Camera Board

## ANM320



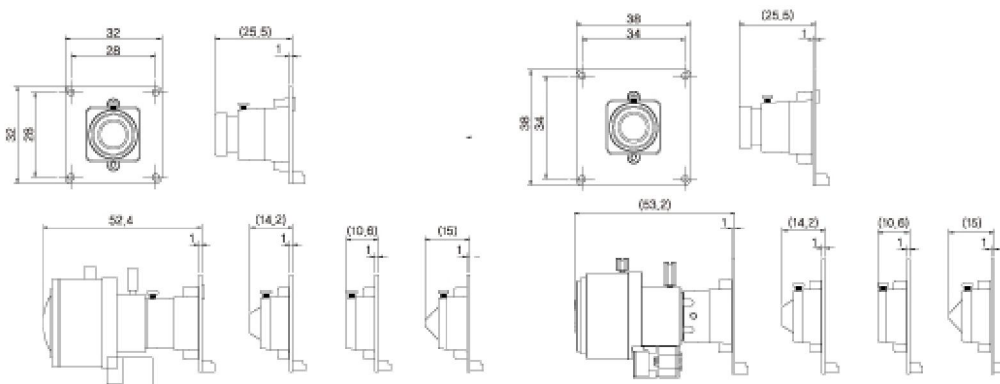
### General Features

- 1/3" Sony Super HAD CCD
- High Resolution of 550 TVL
- Fixed Iris Board, Pinhole, Vari-Focal Lens
- Min.Illumination of 0.05 Lux / Faceplate
- Automatic Gain Control
- Auto Tracking White Balance
- Auto Back Light Compensation
- Extreme Clear Cutting Edge Picture
- Option : Audio

### >> LENS OPTIONS

Type	Board Lens							Pinhole Lens			Veri-Focal Lens	C/CS Mount
								P1	P3	P4		
Focal Length	2.45	2.97	3.6	6	8	12	16	3.7	3.7	4.3	4.0 ~ 8.0	
Aperture	F2.0	F2.0	F2.0	F2.0	F2.0	F2.2	F2.5	F2.0	F2.0	F2.0	F2.0 ~ 2.8	
Angle of View	150°	130°	92°	53°	40°	28°	19°	90°	90°	78°	89.2° ~ 44.2°	

### >> DIMENSIONS



» SPECIFICATION

Model Name	AMN320	AMN380
Image Device	1/3" SONY Super HAD CCD II	
Scanning System	2:1 Interlace	
Scanning Frequency	NTSC : 15.734 KHz(H), 59.94 Hz(V)	
	PAL : 15.625 KHz(H), 50 Hz(V)	
H. Resolution	550 TVL	
Total Pixels	NTSC : 811(H) x 508(V) / PAL : 795(H) x 596(V)	
Effective Pixels	NTSC : 768(H) x 494(V) / PAL : 752(H) x 582(V)	
S/N Ratio	More than 48dB (AGC Off)	
Min. Illumination	0.05 Lux / Faceplate	
Sync. System	Internal	
Gamma	= 0.45	
Video Output	1.0 Vp-p Composite (75 )	
Lens	Fixed Board Lens / Pinhole Lens / C/CS Mount / Vari-Focal	
Electronic Shutter	NTSC : 1/60 ~ 1/100,000 sec / PAL : 1/50 ~ 1/100,000 sec	
Operating Temperature	14°F ~ 122°F (-10°C ~ +50°C)	
Storage Temperature	-4°F ~ 140°F (-20°C ~ +60°C)	
Humidity	Less than 80%	
Power Consumption	DC12V (±10%), Max. 160mA	
Dimensions (mm)	32 (W) X 32 (H)	38 (W) X 38 (H)

ALLWAN SECURTY France  
 Tel: 0 825 600 625 – Fax: 0 825 600 623  
 www.allwan-security.com – info@allwan.fr