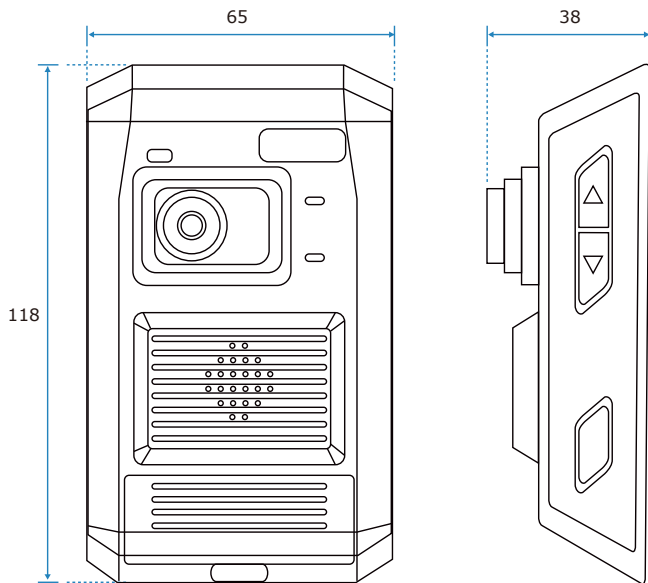


DVR



Unit : mm (± 0.5)

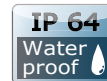
Feature

- Display : 2.0" TFT
- SDHC : support up to 32GB x 2 Micro SD
- GPS founction
- Record : Normal, loop overwrite
- Waterproof IP 64
- Low Lux Environment (Built-in IR 850nm or IR 940nm)



▲MP-800

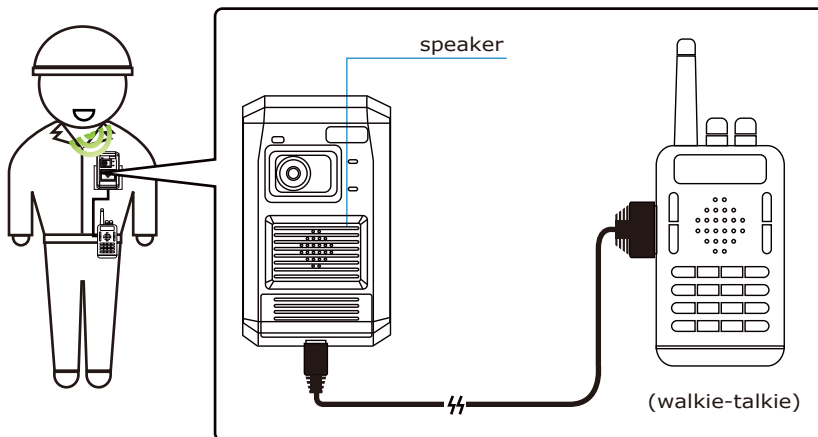
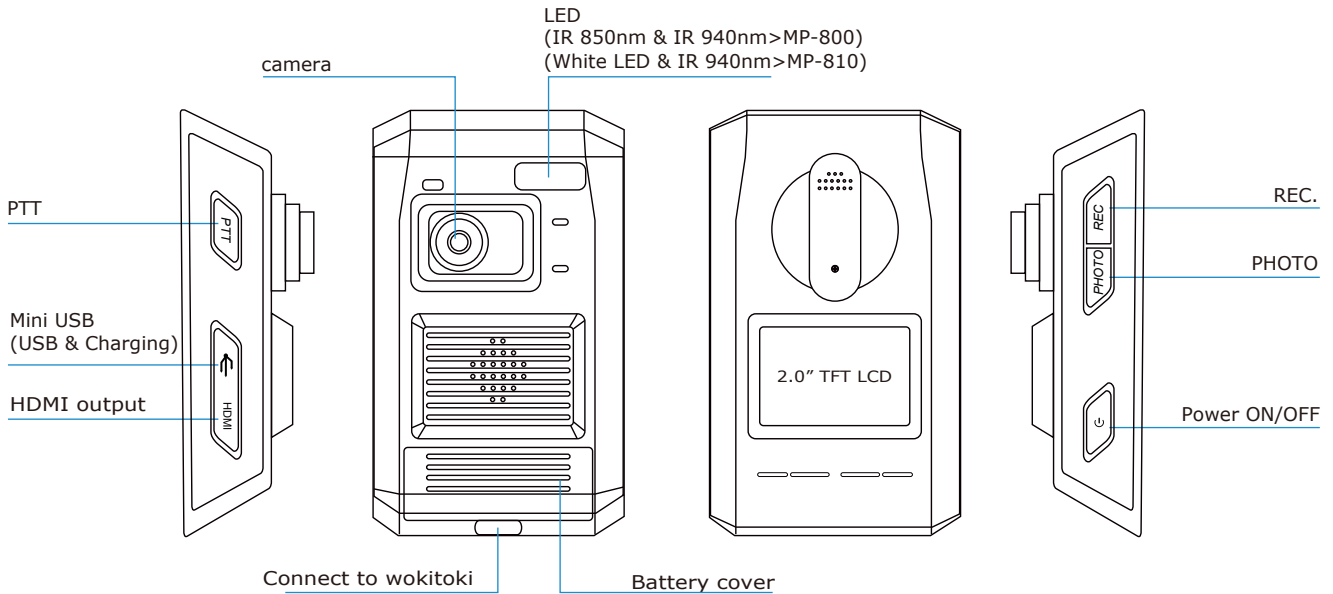
▲MP-810



Specification

CAMERA	
■ 5.0 MegaPixel CMOS Camera module	■ 1/2.5" CCIQ III DIGITAL SENSOR
■ Pixel size : 2.2 X 2.2 μm	
Video Record	
(1) Video file format : MOV (H.264)	
(2) Video Record Quality, 1080P/720P/848 x 480 (Digital camera)(30 fps)	
(3) RTC Stamp embedded in Video stream (be set by GPS)	
(4) Real-time Record	
(5) Normal, loop overwrite(30 MIN.) , snapshot	
(6) For Low Lux Environment (intelligent IR LED /Built-in IR 850nm & IR 940nm) , automatic Loop Recording	
(7) Audio output :48KHz	
(8) Playback (get 4X speed forward or rewind and press twice to get 8X speed)	
(9) IRC function(auto Day/Night selectable modes)	
(10) GPS founction(GPS tracker to record image locations on a google map)	
Photo Snapshot	
(1) Photo snapshot under preview mode.	
(2) File format : 5.0 MegaPixel(expected to 12.0 MegaPixels)	
I/O Interface	
(1) HDMI Line out	
(2) USB 2.0 (mini USB) DC 5V IN	
(3) MICRO SD card slot SDHC (up to 32GB)x 2	

Display
2.0" TFT LCD
(1)rechargeable Li-ion battery NP120 (2000mAh)
(2)Built-in charging circuit
(3)100~240V 50/60Hz AC adaptor , DC 5V~2A output power management
a. Auto Power off when system idle at 30 minutes (no work)
Storage
(1)Support Micro SD card -Both support SD 1.0 & SD 2.0 (SDHC)
(2)Support Micro SD memory up to 32G x 2
Link to PC
(1)Support Windows 2000 / XP / VISTA
(2)Connect the USB cable from PC to device , directly exchange file from PC



Model	LED
MP-800	IR 940nm & IR 850nm LED
MP-810	White LED & IR 850nm LED

Other information

MINI Mobile Digital Video Recorder

Mobile LVDS 1080p DVR + 5 MP Camera
(micro SD card slot x 2 (support 32GB x2= 64GB)

