

Key Features

- Machined metal ball design provides absolute PTZ performance and extreme weather operability
- Ruggedized vandal-proof housing delivers performance in harsh conditions, including wet, corrosive, caustic & marine locations
- The most comprehensive viewing range of any speed dome, including above the camera and below the camera
- Triangulated configurations provide coverage directly below camera, eliminating blind spots of conventional speed domes
- 360° continuous pan and 320° tilt with 64 presets
- Day-night mechanical IR filter for brilliant daytime color and excellent night vision under low light and infrared illumination
- LXR CCD for exceptional low light and infrared sensitivity, low smear, low streak and excellent anti-blooming characteristics
- Total zoom 216x (18x optical, 12x digital) with 4.1mm-73.8mm lens
- Dyna-Flow™ speed control uses closed loop electronics to enable smooth, precise panning and tilting action, allowing fine control and accurate tracking even at high zoom levels
- High-precision, solid state resolver technology provides preset accuracy of better than 0.08°
- Flat glass window with external wiper and internal heater for outstanding optical performance in rainy, humid environments
- Optional 3/4" bullet-resistant window - UL752 Level 1 ballistic
- Waterproof, weather-sealed and corrosion resistant
- Wall, surface, ceiling, or pole-top mounting capability
- Architectural design with stainless steel or aluminium finish
- Supports Pelco P and Pelco D protocols

Product Description

Featuring an innovative machined metal ball design, Moondance is a vandal-proof, ruggedized PTZ speed dome camera designed for extreme weather environments and absolute PTZ performance.

Constructed of CNC-milled aluminum or 316 stainless steel, Moondance is weather-sealed for performance through hurricane conditions. The small flat optical window is equipped with an external wiper and thermally controlled by an internal heater, making Moondance ideal for the harshest outdoor environments. A UL752 Level 1 ballistic window is also available for extra protection.

Moondance's robust design makes it the toughest, most versatile PTZ camera available. Twin support arms secure the machined metal ball head, allowing the most versatile pan-tilt operation of any speed dome. Moondance is twice as versatile as conventional speed domes, capturing surveillance images from both above and below the camera. Triangulated models also enable views from directly below the camera itself, eliminating the blind spots typical to conventional PTZ cameras. With the capability to be mounted upside-down or right-side-up, Moondance's unique machine metal ball design enables surface, ceiling, wall, pole or pole-top mounting.

Moondance™ incorporates an LXR CCD zoom module that delivers 18x optical, 12x digital zoom, exceptional performance in low light conditions and outstanding night vision performance under infrared.

Incorporating closed loop electronics, Moondance features Dyna-Flow™ speed control which enables smooth, precise pan and tilt action for unparalleled control, even at high zoom. Additionally, precision-engineered resolver technology enables accuracy of better than 0.08° for Moondance's 64 configurable presets.

Moondance™ includes commissioning software, is available with Pelco P or Pelco D protocol and is easily integrated with Extreme's infrared illuminators for award-winning night vision performance.

Product Image



14.2"
Height

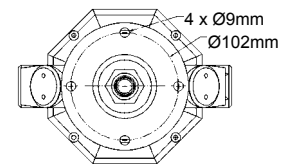
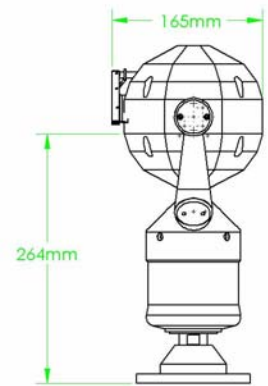
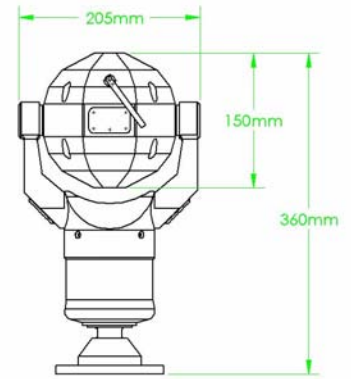
Featuring machined metal ball design, Moondance provides 360° continuous pan and 320° tilt for comprehensive surveillance through surface, wall, ceiling and pole-top mounting options. Above: stainless steel version w/ UL752 Level 1 ballistic window.

Applications

- Marine environments
- Defense
- Commercial buildings
- Transportation
- Government sites
- Airports
- Flagpoles
- Corrosive / caustic environments
- Ports
- Homeland Security
- Mobile police vans
- Architectural environments
- Wash down facilities

Specifications

	Moondance Vandal-Resistant Ruggedized Speed Dome Camera featuring Machined Metal Ball design
Image Sensor	1/4" LXR color / monochrome CCD
Filter	Automatic mechanical IR cut filter
Resolution	470 TVL NTSC
Effective Pixels	768 x 494 NTSC
Minimum Illumination	0.7 Lux @ F1.4 Zero Lux under IR illumination
Zoom	18x optical 12x digital 216x total
Lens Focal Length	4.1mm to 73.8mm
Angle of View	48° wide 2.7° telephoto
Focus system	Auto or manual focus
Drive Unit	Integral pan / tilt motor drive
Pan	360° continuous pan
Tilt	320°
Pan-Tilt Speed	0.75° to 90° per second
Speed Control	Dyna-Flow™ closed loop speed control
Repeatability	Better than 0.08° pan / tilt preset accuracy
Presets	64 configurable presets
Communication	RS485 / RS422 – Pelco P and Pelco D
Window Wiper	External window wiper included
Heater	Included as standard
Operational Temp.	-30°C to +50°C -22°F to 122°F
Configuration	Standard 90° or triangulated 45°
Construction	Vandal-resistant, weather sealed construction
Ballistic	Optional 3/4" UL752 Level 1 ballistic front window available (stainless model)
Finish	Powder coated aluminum (black or grey) or 316 stainless steel, natural finish
Mounting	Base or wall mount options
Power Consumption	25.2W max.
Power Cabling	2m, 10m, 20m, 25m lengths available
Power Supply	120VAC (60Hz) power supply unit Included
Optional Voltage Input	230 VAC (60Hz) 24VAC 12VDC
Dimensions (D x H x W)	Ø165mm x 360mm x 205mm Ø6.5 x 14.2" x 8.1"
Weight	Aluminum: 10lbs / 4.5kg Stainless: 39.6lbs / 18kg
Environmental	Aluminum: NEMA 4 IP68 • Outdoor Weather Rating Stainless Steel: NEMA 4X IP68 • Outdoor Weather Rating



Ordering Information

Every Moondance Ruggedized Speed Dome camera is a custom unit. Please refer to Extreme CCTV's "Request for Quotation" for order info.

Sample Model Number: MD-N01BS1-A2PP-00A

Moondance Ruggedized Speed Dome, aluminum, Machined Metal Geodesic Ball Design, 470TVL, NTSC, 18x optical zoom, 360° continuous pan, Dyna-Flow™ speed control, standard 180° arm configuration, external wiper, standard 4" bolt pattern mounting base, 10m cable length, Pelco P / Pelco D protocol.

Dealer / Distributor



Corporate Headquarters
Extreme CCTV Inc
TF: 1 888 409 2288
T: +1 604 420 7711
F: +1 604 420 3300
E: Sales@ExtremeCCTV.com
www.ExtremeCCTV.com



European Operation
Derwent CCTV Ltd
A Division of Extreme CCTV (UK) Ltd
T: +44 (0) 1670 730 187
F: +44 (0) 1670 730 188
E: SalesUK@DerwentCCTV.com
www.DerwentCCTV.com