

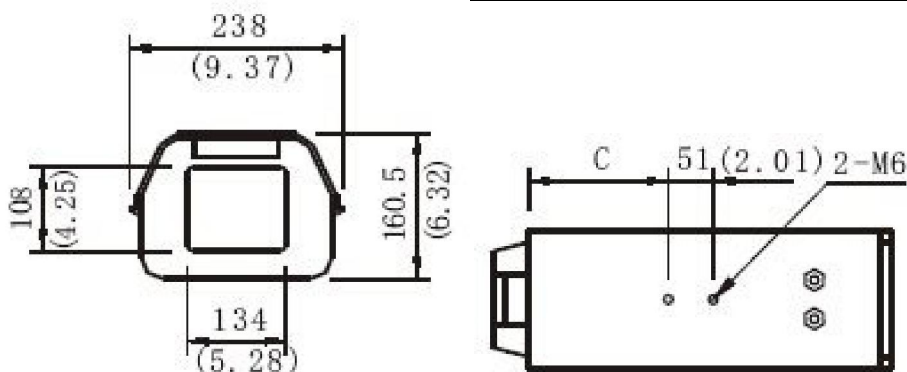
Specifications

CCTV OUTDOOR camera house
 Super Large
 big internal room



AL4829SWG cctv camera housing

Large-scale dedicated camera shields // CCTV large camera housing	
Voltage	24VAC or 220VAC±10%,50/60Hz
Power	AC24V: 8W blower, 36W Heater AC220V :22W blower, 50W Heater
Mounting circumstance	Indoor / outdoor
Operating temperature	-35 ~ 60
Max size for camera+Lens	H4829:553(L)×200(W)×130(H)
Viewing Window	134×108mm
Dimensions	H4829:A:825(32.48) B:736:(28.98) C:317(12.48)
Weight	H4829:7.0kg(15.43lb)
Material	Die-Cast Extruded Aluminum Construction Viewing Window:Clear/Optical Glass(Optional)
Optiona	Optional: H: Heater S: Forced-air cooling K: sun shield W: rain brush G:optical glass
Feature	Indoor/Outdoor Application,Installed with Mount or Pan/Tilt Air-Powered Supporting Pole for Front-Opening Lid Two Entries for Compression Glands on Bottom Two Safety Latches IP66 Standard Easy for Installation and Maintenance Optional Accessories Include Blower,Heater,Sun Shield,Wiper,Glass etc.
Recommended Mounts	AL2770, loading:55kg. // AL2790, loading:20kg
Recommended Pan/Tilt	Indoor/Outdoor Medium Pan/Tilt: HD3050 loading: 21kg.



www.allwan-security.com

info@allwan.fr

Tel. 33 (0) 421 350 125